



The race for the biggest machine that governs the development of agricultural machinery should not take us away from the many farmers who still have human-sized farms. JOSKIN makes it a point of honour to be able to offer a range of products meeting the needs and expectations of every user.

With this goal in mind, JOSKIN adds a new model to its range of SIROKO muck spreaders: the S4008/8V.

Designed on the basis of the smallest existing model of the range, the S4010/9V, it has the same running gear and body length (4 m) but its **body height was lowered** by 24 cm to reach 85 cm. The two removable vertical beaters with 3.5 spirals are 1,500 mm high with a diameter of 820 mm and remain fitted with **teeth in HARDOX 450 steel** and **retractable blades** at their base in order to keep the spreading quality offered on the whole range.

Thanks to this configuration, it offers not only a perfect **stability**, even in very steep areas, but it is also **easier to load**. Its **capacity** reaches nonetheless some **8 m³**.

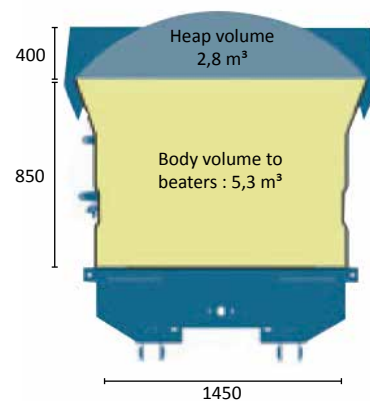
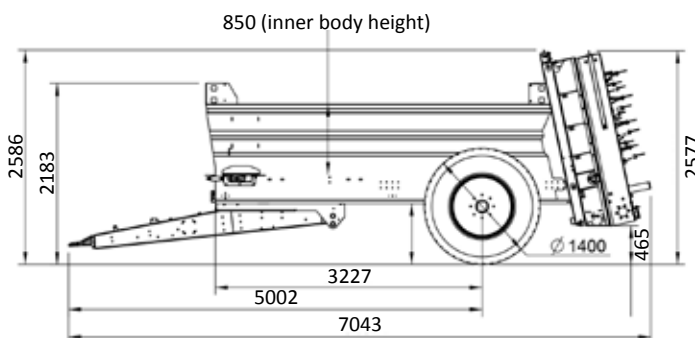
As for the rest of the SIROKO range, several options are available, like the tight hydraulic guillotine door, aluminium or wooden extensions of 250 mm, as well as a PVC protection of the upper body strip.

Even if it is the smallest existing model of the JOSKIN muck spreading programme, it benefits – this goes without saying – from the same finishing quality and care taken during the manufacturing and development of all our products.



Standard equipment:

- Narrow monocoque spreader
- Walterscheid P.T.O.-shaft with shear bolt security
- Fully galvanized body
- Outer access ladder
- Standardized series production
- Cross-suspension drawbar with parabolic leaves
- Unbroken welds on the body
- Bolted flat eyelet (Ø 50 mm) (large plate)
- Body in HLE 550 steel + upper body strip made up of rectangular tube
- Hydraulic side stand (DA)
- Welded anti-projection headboard with grate
- Hydraulic brakes
- 2 shipping chains (Ø 14 mm)
- Recessed lighting
- Floor inversion by switching the oil connections at the motor outlet
- Wheels 400R22.5 cover
- Flow regulator with compensated pressure
- 2 vertical Ø 820 mm beaters in spirals on tube (Ø 140 mm)
- 1,000 rpm drive shaft - beater rotation speed: 423 rpm
- Removable shredding beater with 3.5 spirals
- Height of the beater: 1,500 mm
- Retractable blades at the base of the beaters
- Removable teeth in HARDOX 450 steel



Ref.	Model	Off-road payload (t)	Inner body dimensions (m)				Body volume before door (m³)	Manure volume before door (m³)	Manure volume up to beaters (m³)	Axle: □ (mm) - track (mm) - studs	Brakes
			Length before door	Length up to beaters	Width	Height					
4811	S4008/8V	8	4.15	4.65	1.45	0.85	5.00	7.70	8.10	ADR 100x2000-10G	400 x 80

Non contractual data, likely to change